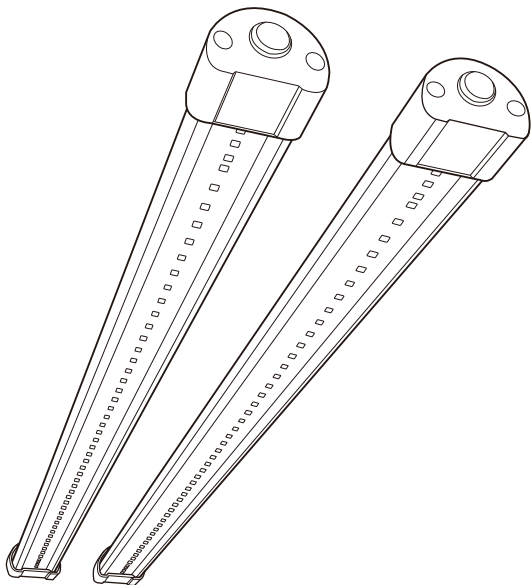


Spider  **Farmer**

USER MANUAL

Supplemental Light Bars

Revolutionize Your Harvest with Supply Series



SF-SUPP-05

UV30 & IR16 SUPPLEMENTAL LIGHTS

SUPP-UV30 PPF: 12.31 μ mol/s

Spectrum	365-370nm	Power Draw	15W \pm 5%(Per Bar)
Core Coverage	3ft x 2ft	Light Size	23.62" x 1.21" x 1.36" (60 x 3.08 x 3.45 cm)
Input Voltage	AC100-277V	LEDs	60 pcs(Per Bar)
Amp	0.1829A @AC120V 0.1052A @AC240V	Frenquency	50/60HZ

SUPP-IR16 PPF: 3.15 μ mol/s

Spectrum	730-745nm	Power Draw	8W \pm 5%(Per Bar)
Core Coverage	3ft x 2ft	Light Size	23.62" x 1.21" x 1.36" (60 x 3.08 x 3.45 cm)
Input Voltage	AC100-277V	LEDs	44 pcs(Per Bar)
Amp	0.1358A @AC120V 0.08062A @AC240V	Frenquency	50/60HZ

UV60 & IR30 SUPPLEMENTAL LIGHTS

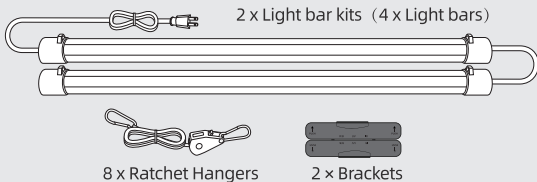
SUPP-UV60 PPF: 12.31 μ mol/s

Spectrum	365-370nm	Power Draw	27W \pm 5%(Per Bar)
Core Coverage	4ft x 2ft	Light Size	35.43" x 1.21" x 1.36" (90 x 3.08 x 3.45 cm)
Input Voltage	AC100-277V	LEDs	120 pcs(Per Bar)
Amp	0.4447A @AC120V 0.2429A @AC240V	Frenquency	50/60HZ

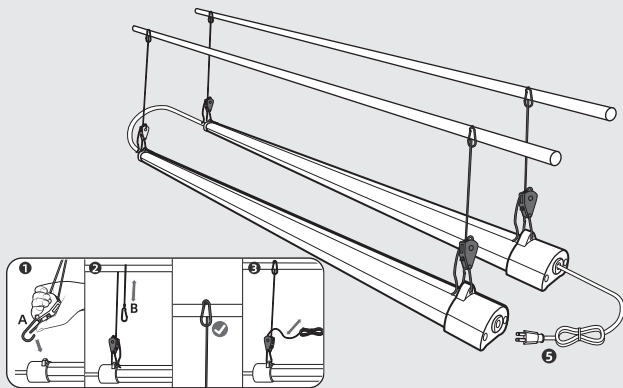
SUPP-IR30 PPF: 60.58 μ mol/s

Spectrum	730-745nm	Power Draw	15W \pm 5%(Per Bar)
Core Coverage	4ft x 2ft	Light Size	35.43" x 1.21" x 1.36" (90 x 3.08 x 3.45 cm)
Input Voltage	AC100-277V	LEDs	88 pcs(Per Bar)
Amp	0.2413A @AC120V 0.1356A @AC240V	Frenquency	50/60HZ

PACKAGE INCLUDES



INSTALLATION



Option 1:

1. Attach End A of the ratchet hanger to the hole at one end of the first light bar.
2. Loop the rope over the hanging rod and secure it by attaching End B of the ratchet hanger to the rope.
3. Pull the rope to adjust the light bar to your desired height.
4. Repeat steps 1-3 for the remaining light bars.
5. Connect both light bars to a power source.

DE

Option 1

1. Befestigen Sie Ende A des Ratschenaufhängers am Loch an einem Ende der ersten Lichtleiste.
2. Führen Sie das Seil über die Aufhängestange und sichern Sie es, indem Sie Ende B des Ratschenaufhängers am Seil befestigen.
3. Ziehen Sie am Seil, um die Lichtleiste auf die gewünschte Höhe einzustellen.
4. Wiederholen Sie die Schritte 1-3 für die verbleibenden Lichtleisten.
5. Schließen Sie beide Lichtleisten an eine Stromquelle an.

IT

Opzione 1

1. Collega l'estremità A del cricchetto al foro a un'estremità della prima barra luminosa.
2. Passa la corda sopra l'asta di sospensione e fissala collegando l'estremità B del cricchetto alla corda.
3. Tira la corda per regolare la barra luminosa all'altezza desiderata.
4. Ripeti i passaggi 1-3 per le altre barre luminose.
5. Collega entrambe le barre luminose a una fonte di alimentazione.

FR

Option 1

1. Fixez l'extrémité A du crochet à cliquet dans le trou à une extrémité de la première barre lumineuse.
2. Passez la corde par-dessus la tringle de suspension et fixez-la en attachant l'extrémité B du crochet à cliquet à la corde.
3. Tirez sur la corde pour régler la hauteur de la barre lumineuse à la hauteur souhaitée.
4. Répétez les étapes 1 à 3 pour les autres barres lumineuses.
5. Branchez les deux barres lumineuses à une source d'alimentation.

ES

Opción 1

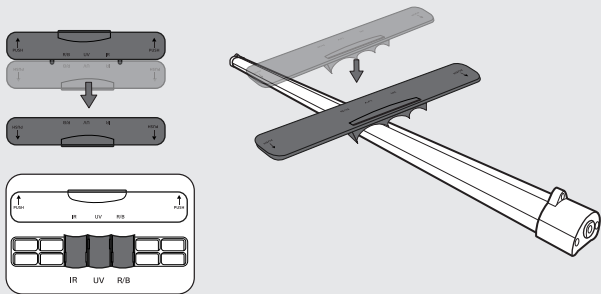
1. Fije el extremo A del colgador de carraca al orificio en un extremo de la primera barra de luz.
2. Pase la cuerda sobre la barra de suspensión y asegúrela conectando el extremo B del colgador de carraca a la cuerda.
3. Tire de la cuerda para ajustar la barra de luz a la altura deseada.
4. Repita los pasos 1-3 para las barras de luz restantes.
5. Conecte ambas barras de luz a una fuente de energía.

NL

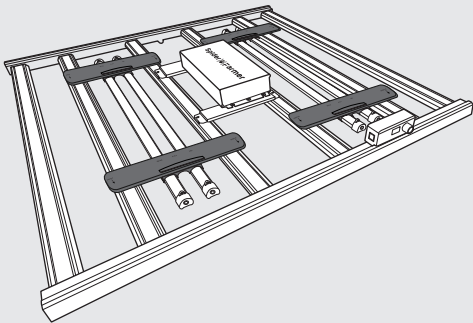
Optie 1

1. Bevestig uiteinde A van de ratelophanging aan het gat aan een uiteinde van de eerste lichtbalk.
2. Leid het touw over de ophangstang en bevestig uiteinde B van de ratelophanging aan het touw.
3. Trek aan het touw om de lichtbalk op de gewenste hoogte af te stellen.
4. Herhaal stappen 1-3 voor de overige lichtbalken.
5. Sluit beide lichtbalken aan op een stroombron.

Option 2:



1. Inserting the supplemental light bar into the bracket.



2. Position the bracket, with the light bar attached, between the two bars of the main light.
3. Secure the bracket and adjust for stability.
4. Connect the light bar to the power source.

DE

Option 2

1. Setzen Sie die Zusatzlichtleiste in die Halterung ein.
2. Positionieren Sie die Halterung mit der befestigten Lichtleiste zwischen den beiden Leisten des Hauptlichts.
3. Befestigen Sie die Halterung und justieren Sie sie für Stabilität.
4. Schließen Sie die Lichtleiste an die Stromquelle an.

IT

Opzione 2

1. Inserire la barra luminosa supplementare nella staffa.
2. Posizionare la staffa, con la barra luminosa fissata, tra le due barre della luce principale.
3. Fissare la staffa e regolare per garantire stabilità.
4. Collegare la barra luminosa alla fonte di alimentazione.

FR

Option 2

1. Insérez la barre lumineuse supplémentaire dans le support.
2. Positionnez le support, avec la barre lumineuse fixée, entre les deux barres de la lumière principale.
3. Fixez le support et ajustez-le pour assurer sa stabilité.
4. Connectez la barre lumineuse à la source d'alimentation.

ES

Opción 2

1. Inserte la barra de luz suplementaria en el soporte.
2. Coloque el soporte, con la barra de luz adjunta, entre las dos barras de la luz principal.
3. Asegure el soporte y ajuste para garantizar la estabilidad.
4. Conecte la barra de luz a la fuente de alimentación.

NL

Optie 2

1. Plaats de aanvullende lichtbalk in de beugel.
2. Positioneer de beugel, met de lichtbalk bevestigd, tussen de twee balken van het hoofdlampje.
3. Bevestig de beugel en stel deze af voor stabiliteit.
4. Sluit de lichtbalk aan op de stroombron.

USING TIPS

Light Type	Plant's Growth Stage	Light Schedule	Usage Tips
UV	Vegetative Flowering	1-2 hours	Mid and Late Veg: 1 hour Final 2-3 Weeks: 1 - 1.5 hours Mid Flower: 1.5 - 2 hours Final 2-3 Weeks: 2 hours
IR	Flowering	30 minutes	Wake Up: Turn on IR 15 minutes before the main light Plant Sleep: Turn on IR 15 minutes after the main light is turned off
Tips	1. Gradually increase UV duration, monitoring for signs of stress or damage 2. Wear protective glasses when using the light		

SAFETY GUIDELINES

1. Read all instructions and ensure the power source meets the product's electrical requirements.
2. Avoid damaging wires during installation and keep them away from sharp edges.
3. Do not use the product in hazardous locations (e.g., flammable, explosive, chemical-filled, or wet areas).
4. Keep power cords uncovered and free from rugs or fabrics.
5. Follow safety precautions during installation, use, and maintenance.
6. Avoid blocking or tampering with the product to prevent electric shock, fire, or damage.
7. Unplug the product before installing, servicing, or moving it.
8. Do not use the product if the cord is damaged, or if it malfunctions, has been dropped, or is otherwise damaged.
9. Wear protective goggles and gloves when handling LED fixtures or UV lamps to safeguard your eyes and skin.

WARRANTY

Spider Farmer offers warranty services in the United States, Canada, United Kingdom, European and Australia.

30-Day Return Policy:

Returns or exchanges are accepted within 30 days of delivery if the product is in its original condition. Shipping costs are covered by Spider Farmer.

2-Year Warranty:

Within 1 Year: Free repair or replacement for product defects. Customers cover all shipping costs.

1 to 2 Years: Customers are eligible for free accessories or trade-in allowances. Repair services are available, and all costs, including parts and shipping, are borne by the customer.

Exclusions:

The warranty does not cover misuse, abuse, or normal wear and tear, such as scratches. Unauthorized repairs, modifications, or improper use will void the warranty.

Limitation of Liability:

Spider Farmer is not liable for consequential or incidental damages

YOUR RELIABLE INDOOR GROW PARTNER

Follow Us on Social Media



Email:

support@spider-farmer.com

info@spider-farmer.com